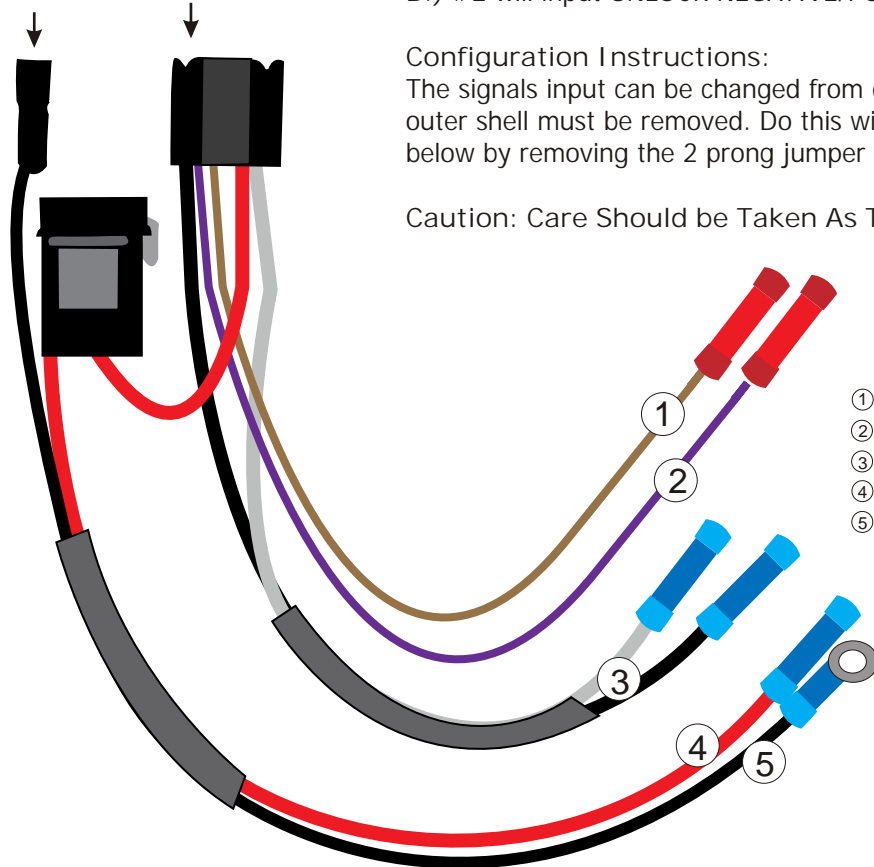


# RC35a, MES910, TR910

## Wire Identification



### Code Learning:

A.) When the power is turned on, within 5 seconds, press button 1 and button 2 at the same time. The system will then enter the code learning mode. The UNLOCK OUTPUT will trigger to remind you that the system is in code learning mode.

B.) Within 5 seconds after entering the code learning mode, press any button on the transmitter. The UNLOCK OUTPUT will trigger to tell you the transmitter has been recognized and is compatible with the system. A maximum of 12 transmitters can be coded per system.

C.) During code learning, if there is no action after 5 seconds, the system will exit the code learning mode. The UNLOCK OUTPUT will be the reminder.

### Button Functions:

- A.) Press button 1 to lock.
- B.) Press button 2 to unlock.

### Input Signals: Default Negative

- A.) #3 will input LOCK NEGATIVE/POSITIVE SIGNAL.
- B.) #2 will input UNLOCK NEGATIVE/POSITIVE SIGNAL.

### Configuration Instructions:

The signals input can be changed from default negative to positive. The outer shell must be removed. Do this with the RC35a unplugged as shown below by removing the 2 prong jumper switch shown as FIG A. in RED.

Caution: Care Should be Taken As To Not Damage Inter Components.

- ① Brown Wire-Input Positive/Negative
- ② Violet Wire-Input Positive/Negative
- ③ Black/White-Output to Actuators
- ④ Red Power
- ⑤ Black Ground